



Mechanical Engineering Newsletter

“YANTRAMSHA”

PES INSTITUTE OF TECHNOLOGY AND MANAGEMENT,

Sagar Road, NH-206, Shivamogga – 577 204

OUR VISION

“To emerge as a center of academic and research excellence in the field of Mechanical Engineering”



Group Photo of III sem students along with all faculties of Mechanical Engineering Department during fresher's party held on 15.09.2019.



MOU was signed with IMTMA for professional interactions and sharing knowledge with the students of PESITM on 29.08.2019 in the PESITM premises.



Mr. Karthik K. M. of 5th Sem A section secured 2nd place in “Clay Modeling” competition AND 3rd place in installation event in VTU Youth festival held at SDMCET, Dharwad



Ethnic Day was celebrated on 21.09.2019 (Saturday)

OUR MISSION

Mission 1: Creating a platform for effective and continuous learning by offering a strong technical knowledge and skills.

Mission 2: To motivate the students in involving academic and scholarly activities for their carrier excellence.

Mission 3: To inculcate ethical and moral values for the professional accomplishment and societal benefits.

FINE FINISHED PRODUCTS OF OUR DEPARTMENT (EVEN SEM – 2018-19)

4th Sem



Aqheel Ahamad Quati
(4PM17ME012)

6th Sem



Karthik Walvekar
(4PM16ME032)

8th Sem



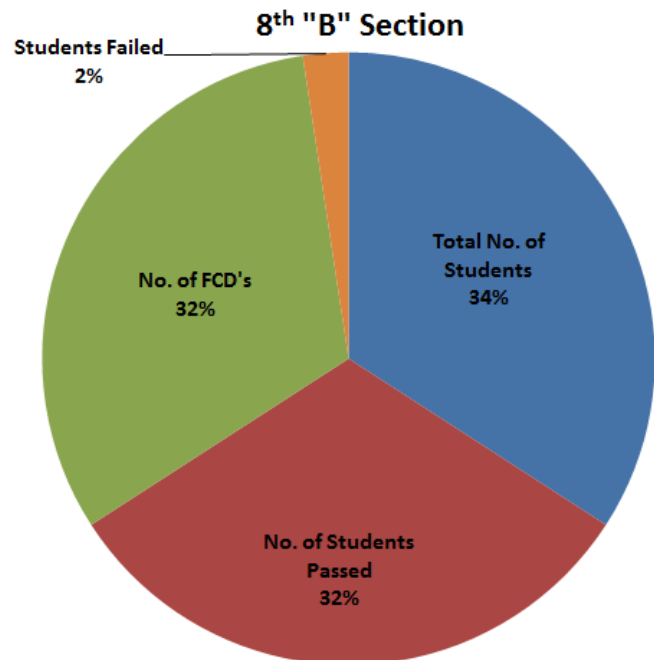
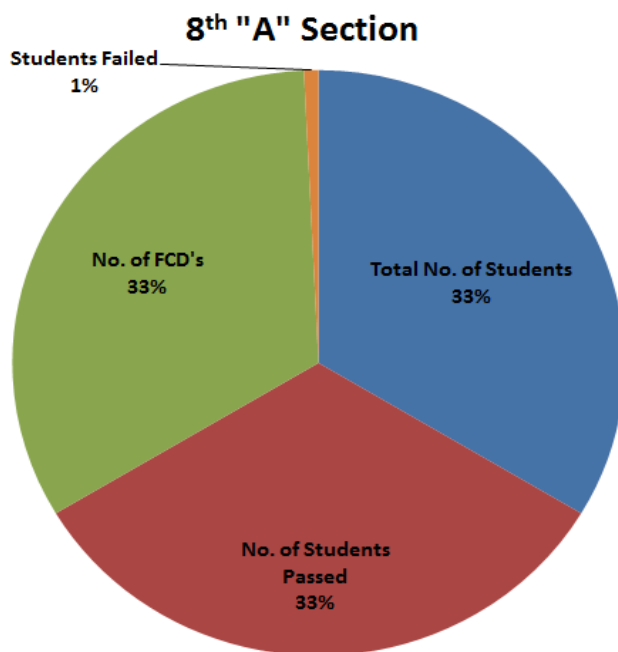
Mir jibran Hussain
(4PM15ME038)



- Mubarak Sadath

"The king never speaks until it's not for his kingdom".

RESULT ANALYSIS OF 8th SEMESTER RESULTS



Department of Mechanical Engineering - PESITM, Shivamogga in association with the NSS Unit had organized an awareness talk on waste segregation and zero waste management on 31/07/2019 in PESITM Campus.



Dr. Basavarajappa Y. H. head of Mechanical Dept. receiving "BEST PROJECT AWARD" in 42nd Series student project programme held at KLE's Dr. MSSCET, Belagavi, for the project entitled "Bio-CNG Production, Bottling and Utilization for CI Engines"

ACTIVITIES HELD IN THE DEPARTMENT



Mr. Suhas Bharadhwaj and Mr. Shreyas Babu of 7th sem Mech students have participated in speak for India competition held at Sahyadri Commerce college, Shivamogga on 28th August 2019



Technical Talk was arranged on 29.08.2019 and Mr. Digvijay Pandey of IMTMA was the speaker who spoke about “Automation and Robotics” in present Industrial trends



On the occasion of DASARA festival painting, poem writing competitions were held on 04.10.2019 in the department of mechanical Engineering. Competition theme was on DASARA.



The alumni interaction activity by Mr. Pruthvi Raj (2013-17 MED Batch) and Mr. Rahul Kasheyy (2014-18 MED Batch) was arranged by the Department of Mechanical Engineering on 14th October, 2019 to final year students of Mechanical Engineering Department.



Under the aegis of National Service Scheme (NSS) of PES Institute of Technology and Management, Shivamogga Gandhi Jayanti and our former Prime Minister Lal Bahadur Shastri’s Jayanti was celebrated on 2nd October 2019 in the college premises. As a part of this shramadhan program was also conducted to have a step towards clean India project.



Industrial visit was arranged to 3rd sem A and B section students to Bhoomika Alloys Private Limited Casting, Shivamogga



Student of Mechanical Engineering have participated in Mini Anveshana – 2019 Science & Engineering Fair held at Ayanuru



Rangoli competition was held on the occasion of Dasara festival (ayudha pooja)



Celebration of “DASARA FESTIVAL” in the department

OUR MISSION

Mission 1: Creating a platform for effective and continuous learning by offering a strong technical knowledge and skills.

Mission 2: To motivate the students in involving academic and scholarly activities for their carrier excellence.

Mission 3: To inculcate ethical and moral values for the professional accomplishment and societal benefits.

ACHEIVEMENTS OF OUR STUDENTS

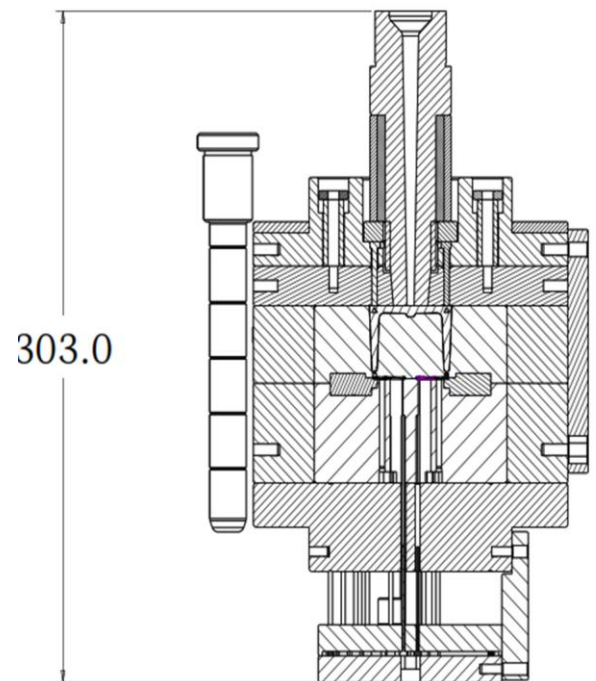
LIST OF THE STUDENTS WHO HAD COMPLETED NPTEL ONLINE CERTIFICATION COURSES

SL. NO.	NAME OF THE STUDENT	USN	COURSE NAME	SEM
1.	Nitin J. C.	4PM16ME056	Inspection and Quality control in Manufacturing	7 th A
2.	Sourabh	4PM16ME096	Refrigeration and Air Conditioning	7 th B
3.	Suhas Bharadhwaj	4PM16ME097	Fluid Mechanics	7 th B
4.	Suhas Bharadhwaj	4PM16ME097	Heat Exchangers; Fundamentals and Design Analysis	7 th B
5.	Mr.Maltesh Deshpande	Asst. Prof.	Nanotechnology Science and Applications	---
6.	Mr. Shivananda D. C.	Asst. Prof.	Concepts of Thermodynamics	---
7.	Mr. Ganesh U. L.	Asst. Prof.	CNC of Machine Tools and Processes	---
8.	Mr. Ashok R. Banagar	Asst. Prof.	Manufacturing of Composites	---

World in the lens of our students



Design (FV CAD Model) of Mould Tool Jaw's Base (MIM Vessel seal Mould Tool)



SECTION AA-AA

F.V

Mithun P. (III B Sec.)

The true love doesn't live long,
The true lover doesn't live strong,
But
The only relationship that will live lone is
The live that you people live with your loved one

- Sanjay Achar (III, B)

ಬೆಲೆ ಇಲ್ಲದ ಬಾಳಿಗೆ ದಿನ ಬದುಕುವ ಪುಳಕ, ನೆಲೆ ಇಲ್ಲದ ಜೀವಕೆ ನಗುವಿನ ಜಳಕ.
ನಗುವಾ ಮನಸಿಗೆ, ಬೆಲೆಯೇ ಇಲ್ಲವೋ, ಬರಿಯಾ ಮೋಸದಿ ಬೆನ್ನಾ ಇರಿವರು.
ನಂಬಿಕೆ ಇಲ್ಲದೇ ನಾಟಕ ಮಾಡುತ್ತ, ಎಲ್ಲರ ನಂಬಿಸೋ ತುಡಿತವೇ ಜೀವನ.
ಕರುಣೆ ಇಲ್ಲದ ಕಲಿಯ ಆಟಕೆ, ಬತ್ತಿ ಹೋಗಿದ ಬದುಕುವ ತವಕ.....!

- ಅರಬ (ಯಾವಿ, ಅಪ)

Hub of Poets, Lyricists, Writers and Gag-writers

MACHINE LEARNING

Machine learning is an application of artificial intelligence (AI) that provides systems the ability to automatically learn and improve from experience without being explicitly programmed.

Machine learning focuses on the development of computer programs that can access data and use it learn for themselves.

**JEEVANA N. G.
(4PM16ME030)**

ನನ್ನ ಪ್ರೀತಿಯ ಉಸಿರೇ,
ನೀ ಕೈ ಹಿಡಿಯುವ ಮುನ್ನವೇ,
ಒಬ್ಬಂಟಿಯಾಗಿ ಮಾಡಿಹೋದ ನನ್ನ,
ಪ್ರತಿ ಕ್ಷಣವೂ ಕನಸುಗಳಿಗೆ ಜಾಗ ಕೊಟ್ಟಿರುವೆ ಅಂದು,
ಆದರೆ ಪ್ರತಿ ನನಸುಗಳಿಗೆ ಜಾಗವೇ ಇಲ್ಲದಾಯಿತು ಇಂದು,
ಕಣ್ಣೀರ ಒರೆಸಿದ ಕೈಗಳು ಕೇಳುತ್ತಿಹವು ನಿನ್ನ,
ಎಂದಿಗೂ ಬಿಟ್ಟು ಹೋಗದಿರು ನನ್ನ,
ಎಲ್ಲಾದರೂ ಇರು ಎಂತಾದರೂ ಇರು,
ಎಂದೆಂದಿಗೂ ನೀ ನನ್ನ ಉಸಿರಾಗಿರು ನನ್ನ ಕೊನೆಯ ಕ್ಷಣದವರೆಗೂ.

ಇಂತಿ ನಿನ್ನ ಪ್ರೀತಿಯ ನೀ ಹೆಸರಿಟ್ಟ ಹುಡುಗ
(Sanjay N, III B)

ಶಿಕ್ಷಣ

ಶಿಕ್ಷಣವೆಂದರೆ,

ಎಸ್. ಎಸ್. ಎಲ್. ಸಿ., ಪಿಯುಸಿ, ಡಿಗ್ರಿಯನ್ನ
ಓದಿ ಪಡೆದ ಸರ್ಟಿಫಿಕೇಟ್ ಅಲ್ಲ.....
ಎಜುಕೇಷನ್ ಎಂದರೆ,
ಓಪ್ ಟಾಪ್ ಡ್ರೆಸ್ ಹಾಕಿ ಒಂದಕ್ಷರ
ಬರೆದು ಗ್ರೇಟ್ ಅನ್ನಿಸ್ಕೊಳ್ಳೋದಲ್ಲ.....

ಶಿಕ್ಷಣವೆಂದರೆ,

ಗುರು ಹಿರಿಯರನ್ನ ಗೌರವಿಸಿ ಸಮಾಜದಲ್ಲಿ
ಉತ್ತಮ ಅತ್ಯುತ್ತಮನೆನಿಸಿಕೊಳ್ಳುವುದಲ್ಲ....
ಅಥವಾ
ಉಂಡ ಮನೆಗೆ ಎದಡು ಬಗೆದು
ಕೆಟ್ಟವನೆನಿಸಿಕೊಳ್ಳುವುದಲ್ಲ.....

ಶಿಕ್ಷಣವೆಂದರೆ,

ನಯ ವಿನಯ ತುಂಬಿದ ಕನಸಿನ ಸಂಪತ್ತು,
ವಿದ್ಯೆ ಬುದ್ಧಿ, ಜ್ಞಾನ ಭಂಡಾರದ ಸ್ವತ್ತು.....
ಮಾತು, ಧೈರ್ಯ, ಚಾತುರ್ಯದ ಕವಲತ್ತು,
ಪ್ರೀತಿ - ಅನುಕಂಪ, ಕರುಣೆಯ ಗುರುತು.....

ಶಿಕ್ಷಣವೆಂದರೆ,

ಕೊನೆಯ ಕನಸ ನೆನಪು ಮಾಡುವ ಧೈರ್ಯ,
ಜೀವನ ಪಾಠ, ಮೌಲ್ಯದ ಧೈರ್ಯ,
ವಿಶ್ವಾಸದ ತಿರುವು, ಮನದಾಳದ ನೋವು,
ಮುತ್ತುರತ್ನ ಹವಳದ ಸ್ವತ್ತು.....

**Shankar
(7th Sem ME)**



Art By - Mr. Sandesh S.
(III - A Sec)



ಲಾಲಿ ಪದ

ಲಾಲಿ ಸುವ್ವಾಲಿ ತಾಯಿ ಹಾಡಲ್ಲಿ,
ನನ್ನ ತೊದಲ ನುಡಿಯಲ್ಲಿ, ನಿನ್ನ ಹೆಸರಲಿ.
ಅವಳ ಕರುಣೆಗೆ ಬಲೆ ಇಲ್ಲ, ಅವಳಿಲ್ಲದಿದ್ದರೆ ನಮಗೇ
ಗತಿ ಇಲ್ಲ,
ತಾನು ಮಾತ್ರ ಉಪವಾಸ ಮಾಡಿದ್ದಷ್ಟೋ, ನಮಗಲ್ಲ
ಉಣಿಸಿ ಮಲಗಿಸಿದ್ದಷ್ಟೋ.
ಈ ಜೀವಕ ನೆರಳಾದೆ, ಎನ್ನ ಮನವೇ ನೀನಾದೆ.
ಮಡಿಲಲಿ ಆಗಸ ತೋರಿತು ನಿನ್ನ ಮಮತೆಯ
ಕರುವಾಗಿ,
ತಾಯಿಯ ಅಪ್ಪುಗೆಗೆ ಸಮವಿಲ್ಲ ನಾ ಕಾಯ್ತೆ ನಿನ್ನ
ಧ್ವನಿಯಾಗಿ.....

- Amit Sanadi (7th Sem ME)



"Even the greatest was once a beginner. Don't be afraid to

TAKE THAT FIRST STEP."

- Ms. Nayana H. (7th)

OUR MISSION

Mission 1: Creating a platform for effective and continuous learning by offering a strong technical knowledge and skills.

Mission 2: To motivate the students in involving academic and scholarly activities for their carrier excellence.

Mission 3: To inculcate ethical and moral values for the professional accomplishment and societal benefits.

GALLERY OF ARTISTS, POETS and WRITERS

ಊಟಕ್ಕೆ ಉಪ್ಪಿನಕಾಯಿ ಚಂದ, ಉಪ್ಪಿನಕಾಯಿನೇ ಊಟ ಆದ್ರೆ ಚೆನ್ನಾಗಿರತ್ತಾ.....?

ಹಾಗೇ, ಜೀವನದಲ್ಲಿ ಸುಖ ಇರಬೇಕು, ಸುಖ ನೇ ಜೀವನ ಆಗಬಾರದು.

ಏಕೆಂದ್ರೆ, ಜೀವನ ಪೂರ್ತಿ ಸುಖ ಇರುವವರಿಗೆ, ಕಷ್ಟ ಅಂದರೆ ಏನು ಅಂತ ಗೊತ್ತಿರಲ್ಲ,

ಕಷ್ಟದ ಬೆಲೆ ಗೊತ್ತಿಲ್ಲದೇ ಇರುವವರಿಗೆ,

ಜೀವನದ ಬಗ್ಗೆ ತಿಳಿಗೊಳಿಸೋಕೆ ಸಾಧ್ಯವೇ ಇಲ್ಲ.....

ನವೀನ್ ಕುಮಾರ್ ಟಿ. ಸಿ.

(ಅನೇ ವರ್ಷ, ಮೆಕ್ಯಾನಿಕಲ್ ವಿಭಾಗ)

People who say it cannot be done should not interrupt those who are doing it

- Ms. Tejaswini S. (VII Sem ME)



Art by -
Ms. Sahana
V Sem (B)

ಕಣ್ಣಿಗೆ ಕಾಣುವುದು ಕಡಲಿನ ಆಟ,
ಸಮೀಪಿಸಿದಾಗ ಅಲೆಗಳ ಆರ್ಭಟ.
ಅವುಗಳಿಗೆ ತಿಳಿಯದು ಹೃದಯದ
ಮಿಡಿತ, ಕೊನೆಗೆ ನೀನಾಗುವ
ಅನಾಮಿಕ.....

- Amit Sanadi
(7th Sem ME)

MAHARAJ
SHARAJ

By:
Sanjay Achar
5/1/2019
-> 9:45PM

HOW TO OVERCOME ANNOYING SITUATION

No matter what you are who you are you may with your family or alone by birth. Everyone has experienced this kind of situation that I am gone tell you in this article.

We are all humans we do crazy things and it's a beauty....! Say thanks to God who gives us such beautiful world, some people believe he creates the world but according to science it's all about magic, but I accept the both. Everybody gets stuck in life when things are just annoying like somebody doing wrong to someone and he cannot do anything he will make sure that he do something but another will talk to this either positive or negative. Please guys don't think so, in India 75% of people will think the same that's why the people were lack behind. They couldn't do the great things and they won't allow to others will do the great things. I have a suggestion or some tips to overcome all of these, trust me it makes you more and more confident to the present world.

• BE A SIMPLE HUMAN WITH COOL MIND

When you feel like you are scared, be alone, some time, go to any place where you believe in people, talk to unknown peoples. There is a great saying by A.P.J. Sir "You are not alone look at the sky the whole universe is friendly with us"

• TELL YOUR SELF THAT THE SITUATION WILL PASS

There are plenty of battles you need to won. This is a just part of it. Good and bad things are always comes in life there is a great saying by Abhinav bindra In any situation if it is positive or negative There itself you can decide that "develop a higher taste discard the lower one " What a great thought isn't it? Don't care any problem s that you are facing just move on develop a good taste by removing all these shit things from your mind.

• CONCENTRATION

The main part of life is concentration. If you are concentrating the past, you will not grow you just thrown away by the world. Do yoga on morning with a fresh mood. Stay away from mobiles especially that to social media like face book what's app etc. it will shift your concentration to somewhere else and it makes you irresponsible

• MISTAKES

Tell me the person who don't make any mistake in his life.....is there? No not at all, everyone do mistakes. Mistake will help you learn more and more do mistakes but learn from the mistakes but don't repeat it. If you repeat them trust me you can't overcome the mistakes

• ANNOYING

Make sure that what you mean by annoying? Either people surrounded by you are annoying or some any incident, there must be a reason to the thing. If you figure out the reason you will pass the situation by finding answers to it.

Nikhil P Mirashi (4PM16ME054) - 7th A

ವರದಕ್ಷಿಣೆ

ವರದಕ್ಷಿಣೆ ನನ್ನ ಜನ್ಮ ಸಿದ್ಧ ಹಕ್ಕು, ಕೊಡು ಮಾವ ನಿನ್ನ ಬ್ಯಾಂಕಿನ ಚೆಕ್ಯು,
ಅಗ ನೋಡು ನಿನ್ನ ಮಗಳ ಲಕ್ಕು, ನೀವು ಕೊಟ್ಟ ಹಣ ಮುಗಿದ ಮೇಲೆ ನಿಮ್ಮ ಮಗಳಿಗೆ ನೀವೇ ದಿಕ್ಕು.....

- ಶಂಕರ್ ಜಿ. (7th Sem 'A' Sec)

GALLERY OF ARTISTS, POETS and WRITERS

.....ಬರಹಗಾರ್ ಭೂಮಿ.....

ಧಗೆ ಹರಡಿದೆ ಎಲ್ಲೆಲ್ಲೂ
ಎಲ್ಲೆಲ್ಲೂ ಬಿಸಿಲ ರುಳ,
ಮಾನವನ ಈ ಸ್ವಾರ್ಥಕ್ಕೆ
ಕಾಯುತಿದೆ ಹಸಿರ ನೆಲ.

ಹಕ್ಕಿ-ಪಕ್ಷಿ, ಪ್ರಾಣಿಗಳು
ನರಳುತ್ತಿವೆ ದಿನೇ-ದಿನೇ,
ನರಮಾನವನ ದುರ್ಬುದ್ಧಿ
ಆಗುವುದೂ ಎಂದು ಕೊನೆ.

ಜಲಜೀವವು ಕಂಗೆಟ್ಟಿದೆ
ಎಲ್ಲೆಲ್ಲೂ ವಿಷ ತುಂಬಿದೆ,
ಉಸಿರಾಟಕ್ಕೂ ಪರದಾಟ
ಮಾನವನ ಒಡನಾಟ.

ಎಲ್ಲಾ ನೇರಿ ಉಳಿಸೋಣ
ಈ ಭವ್ಯ ಭೂಮಿಯ,
ಪೂಜಿಸೋಣ ಎಲ್ಲಾ ಕೂಡಿ
ಪ್ರಕೃತಿ ಎಂಬ ತಾಯಿಯ.....

- ಅಶೀಶ್ ಕೆ. ಎಸ್.
(4PM15ME005)



ನಾ ಪ್ರೀತಿಸುವ ಹೃದಯಕ್ಕೆ ಮನಸಾರ ಹೇಳುವೆ,
ನೊಂದ ಹೃದಯವೇ, ಪುಟ್ಟ ಪುಟ್ಟ ಆಸೆಗಳಿಗೆ ಜಾಗ ಕೊಟ್ಟು,
ಮನಸ್ಸಿಗೆ ಜಾಗವೇ ಇಲ್ಲದಿದ್ದರೂ, ನನದುಕೋ ಕಣ್ಣುಚ್ಚಿ,
ನಿನ್ನ ನೆರಳಿಗೆ ನೆರಳಾಗಿ ಕಾಣುವೆನಾ, ನಾ ಸಾಯುವವರೆಗು ಮನದಲ್ಲಿ,
ಮನಸಾರೆ ನಾ ಹೇಳುವ ನೀ ನನ್ನ ಉಸಿರು.
ಇಂತಿ ನಿನ್ನ ಪ್ರೀತಿಯ ನೀ ಹಸರಿಟ್ಟ ಹುಡುಗ

- (Sanjay N, III B)

ನೀರಿನಂತೆ ಹೊರಬರುವಾಗ, ಸಂಬಂಧಗಳ ನಡುವೆ ಇತರರಿಯವಾಗ,
ನೀನೊಂದು ಅಪರಿಚಿತ ವಸ್ತುವಾಗುವಾಗ, ಮಾತುಗಳು
ಮೌನವಾಗುವಾಗ,
ಮನಸ್ಸು ಮಾತನಾಡದೇ, ಹೃದಯ ಅರಿಯಲಾರದೇ,
ಕಣ್ಣಿಗೆ ತಿಳಿಯಲಾರದೇ, ನೀನೊಂದು ನೆಪ ಮಾತ್ರ,
ಆ ಘಟನೆ ಕ್ಷಣ ಮಾತ್ರ.....

- Amit Sanadi (7th Sem ME)

USE NATURAL CONSTITUENTS AND BE NATURAL

Natural Composites are the new trend of materials in the present world. Replacement to the environmental hazardous constituents like man-made materials (plastics) must be replaced by biodegradable materials to protect our mother earth. Already we all are facing hard time due to the irrespsective use of plastic materials which causes much damage to the our future. Lot more of naturally available materials are now a days left as it is in the fields, but they are not considered in any of the activities. My suggession is to make use of huge amount of bio waste in making some useful products which can be used in place of plastics in different applications.

- Ashok R. B. (MED)

The art of public speaking



It is said that for most people. Fear of public speaking is greater than fear of death.

Why is it so important to learn the art of public speaking?

It's a proven fact. That people with good communication skills climb up their career ladder rapidly, than rest. And public speaking is the crown jewel of all communication skills.

Steps to master the art of public speaking.

“Face an audience as frequently as you can audience will tend to remove all fear of audience”

Get on stage as frequently as possible. During first few times you will start to feel as if you are drowning in water and you will pass out in couple of seconds. And that's totally normal. Crossing the first level is the most difficult one. Unfortunately most people quit at this level.

After speaking in front of an audience 5 to 10 times, when you gathered enough confidence then you should start learning technical aspects of public of public speaking .In this stage you should read at least couple of books on public speaking.

Technical aspects of public speaking

Pause:-

Make them laugh, make them weep, above all else make them wait.

Pausing before or after, or both before and after an important word will drastically improve the quality of speech.

Gesture:-

Gesture should be spontaneous. Born at the moment you have to consciously practice gesture until it becomes your second nature.

Tips:-

Mastering public speaking is a continuous journey, you have to make mistakes and constantly learn from them, read more, learn by observing people who are experts in the field.

Make videos of your speech and watch it after some time. This will help you to overcome your mistakes.

To read complete article in my blog, scan this QR code



FACULTIES ACHIEVEMENTS

1. Mr. Vinod V. Rampur published a paper entitled, “Compilation of STEP – AP 214 data to generate computer aided process planning for automotive parts” in IJITEE publication by Blue eye intelligence engineering & science publications, Nov. 2019, pp – 645-653.
2. Dr. Manjunath Patel G. C. had published and presented over 3 book chapters, 7 papers in reputed international journals and 2 conference papers.
3. Mr. Vinod V. R., Mr. Ganesh U. L., Mr. Ashok R. B., Mr. Maltesh D. and Mr. Suhas Bharadhwaj Presented and published a paper in National Conference on Higher studies in India: Challenges and Opportunities.
4. Mr. Karthik V., Dr. Manjunath Patel G. C., Dr. Sharana Prabhu C. M. and Dr. Basavarajappa Y. H. Presented and published a paper in National Conference on Higher studies in India: Challenges and Opportunities.
5. Mr. Ashok R. Banagar published a paper entitled, “Dynamic mechanical properties of natural fiber composites—a review”, in Advanced Composites and Hybrid Materials, <https://doi.org/10.1007/s42114-019-00121-8>.
6. Mr. Ganesh U. L., Mr. Vinod V. Rampur and Mr. Ashok R. B. presented paper entitles “Mechanical Characterization of Coconut shell powder and Wood Apple Shell powder reinforced Hybrid Composites” at 2nd ICDEM – 2019, Held at NITK Surathkal.

